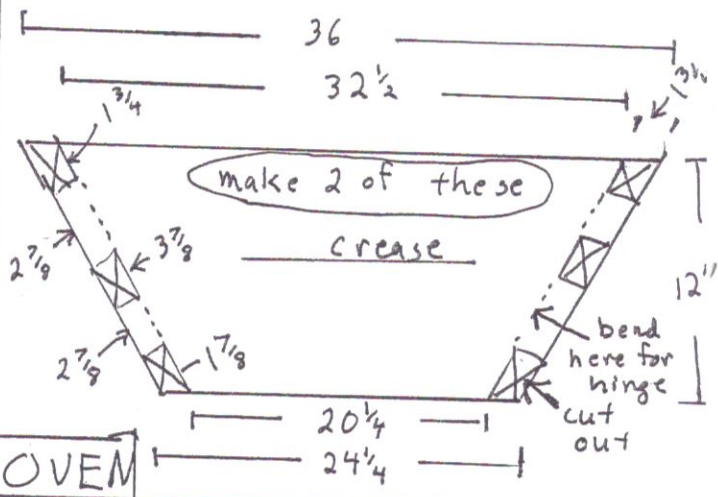
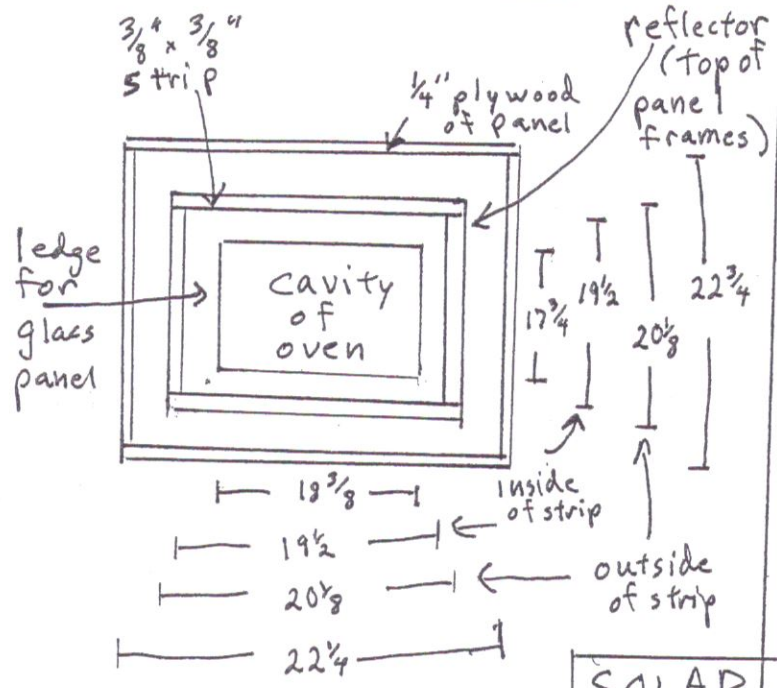


Reflector

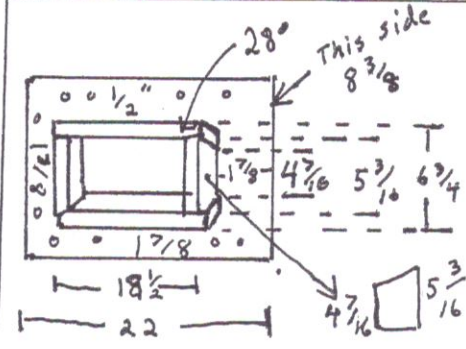
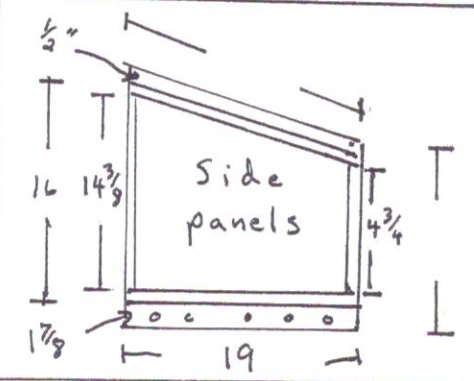
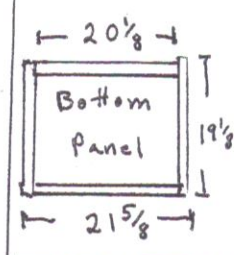
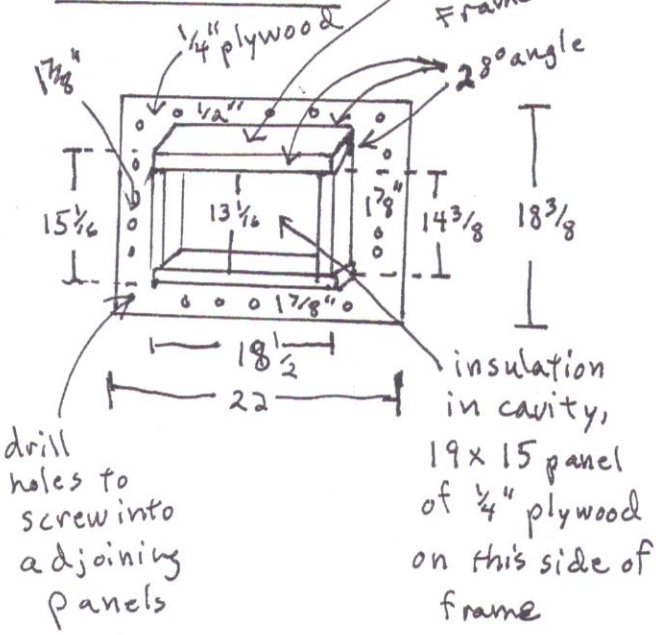
(12" aluminum flashing hinged w/ bicycle spokes)

Top View of Finished Box



SOLAR OVEN PARTS PLAN

Back Panel



Front Panel

(long point of frame boards on side go against smaller inside ply)